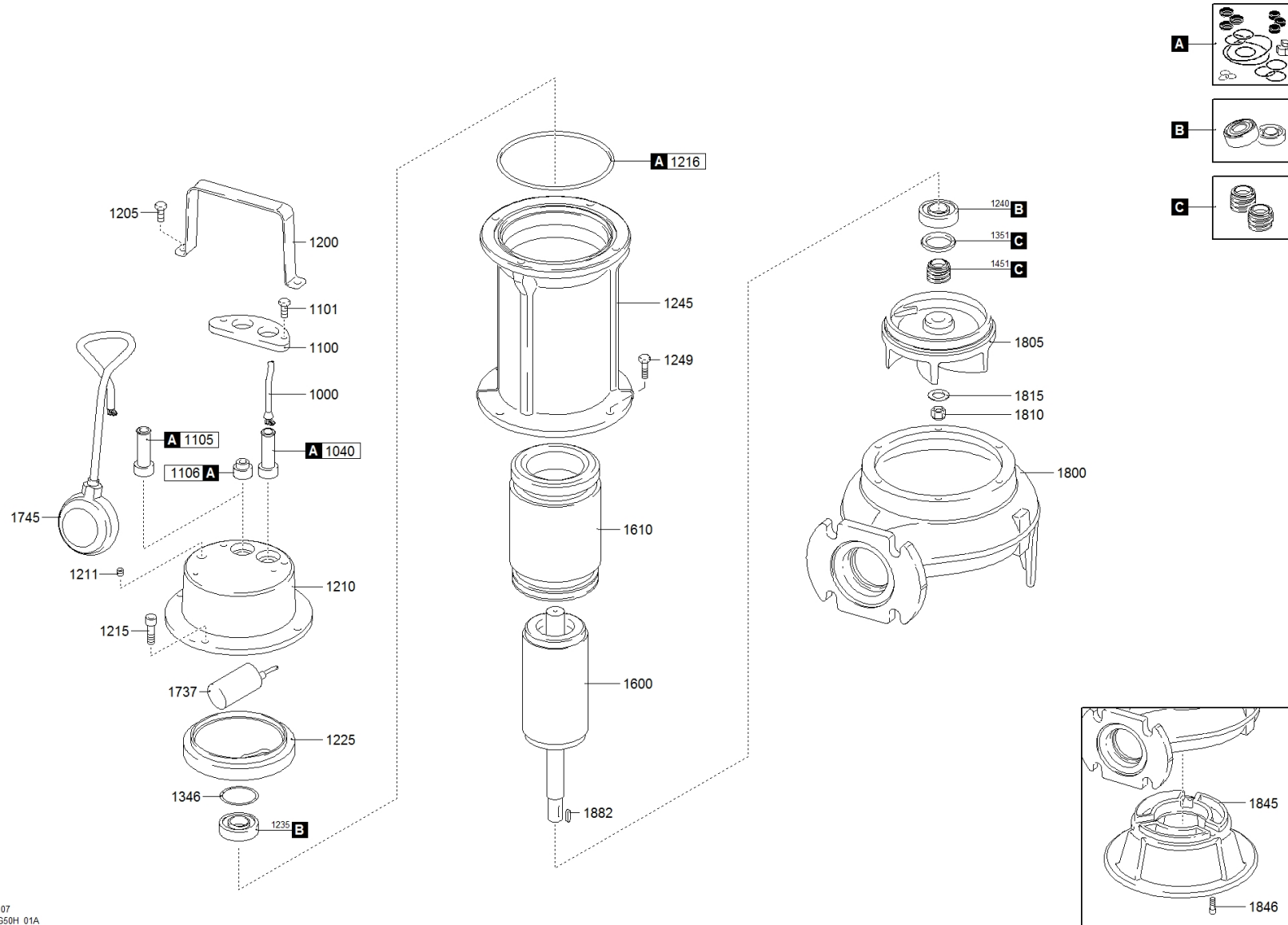


0133.002 - DGE 100/2/G50H A0CT5 NGNAQ21040N00NN





water solutions



0133.002 - DGE 100/2/G50H A0CT5 NGNAQ21040N00NN

| | | Code | | Description | | Q.ty | Price (€) |
|------|--|--------------------|--|------------------------------------|------------------|------|-----------|
| A | | 601039001 | | GASKETS KIT | 805503 | 1 | |
| C | | 602002031 | | MECHANICAL SEALS KIT | 805513 | 1 | |
| B | | 604002241 | | BEARINGS KIT | 805514 | 1 | |
| 1000 | | 250102404010000000 | | POWER CABLE | | 1 | |
| 1040 | | 235672106640 | | RUBBER GASKET [POWER CABLE] | | 1 | |
| 1100 | | 235439006610 | | CABLE GLAND PLATE | 806112 | 1 | |
| 1101 | | 270830610121200000 | | SCREW [CABLE GLAND PLATE >> COVER] | 802089 | 2 | |
| 1106 | | 235672106650 | | CAP [FLOAT SWITCH] | 711505 | 1 | |
| 1200 | | 235230801680 | | HANDLE | | 1 | |
| 1210 | | 232110311300 | | COVER | | 1 | |
| 1211 | | 270139510104000000 | | CAP [TIGHTNESS TEST] | 802099 | 1 | |
| 1215 | | 270830610161200000 | | SCREW [COVER >> MOTOR CASE] | | 4 | |
| 1216 | | 271770110035000000 | | GASKET [COVER >> MOTOR CASE] | 711361 | 1 | |
| 1225 | | 230650324110 | | UPPER BEARING HOLDER | | 1 | |
| 1235 | | 2729062030200000 | | UPPER BEARING | 711360 OR 802083 | 1 | |
| 1240 | | 2729062030200000 | | LOWER BEARING | 711360 OR 802083 | 1 | |
| 1245 | | 231010311240 | | MOTOR CASE | 710933 | 1 | |
| 1249 | | 270830610161200000 | | SCREW [MOTOR CASE >> PUMP BODY] | | 4 | |
| 1346 | | 27542039100000 | | WAVE SPRING | 802283 | 1 | |
| 1351 | | 237970170300700000 | | LOWER LIP SEAL [LOWER BEARING] | | 1 | |
| 1451 | | 230000410150000000 | | 1st MECHANICAL SEAL | 711381 OR 711382 | 1 | |
| 1600 | | 230230011611280 | | SHAFT WITH ROTOR | | 1 | |
| 1610 | | 230801163001000000 | | WOUND STATOR | 711314 | 1 | |
| 1650 | | 2790300422785 | | DATAPLATE | | 1 | |
| 1655 | | 273130000000 | | RIVET [DATAPLATE] | 802085 | 2 | |
| 1800 | | 21251412920123504 | | PUMP BODY | | 1 | |
| 1805 | | 21411400790600230 | | IMPELLER | 711164 | 1 | |
| 1810 | | 27073081910100000 | | LOCKING IMPELLER | | 1 | |
| 1815 | | 270530609202000000 | | LOCKING WASHER [IMPELLER] | 711024 OR 711047 | 1 | |
| 1882 | | 270430404010100000 | | KEY [IMPELLER] | | 1 | |

